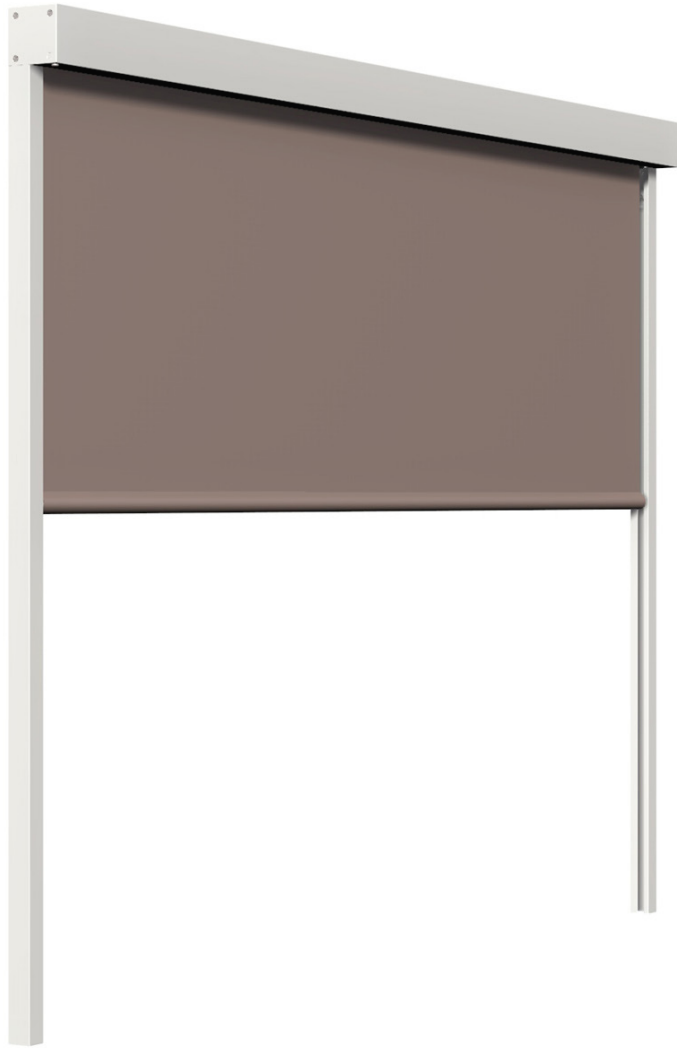


Screeny 55 GP XS

SCREENY 55 - GP XS



IT Tenda con cassonetto da 55mm disponibile nella sola variante Quadro, dotata di guida profilo e cassonetto autoportante.

EN 55mm cassette awning available in "Square" version only, with inox profile guide and self-standing cassette version

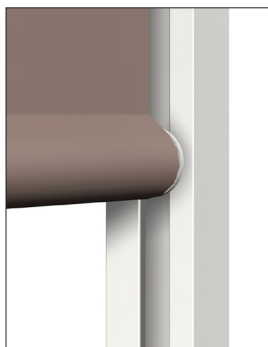
FR Store coffre 55mm disponible dans la seule variante Carrée, avec un profil guide et coffre autoportant.

DE 55mm Kassettenmarkise erhältlich nur in eckiger Version, mit Profilführung und selbsttragendem Kasten ausgestattet

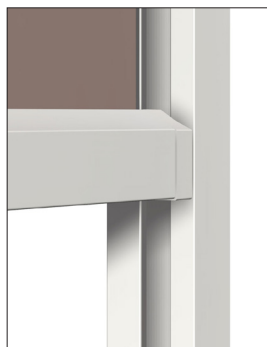
ES Toldo con cofre de 55mm disponible solo cuadrado, con perfil guía y cofre autoportante



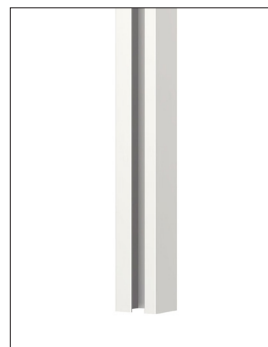
Quadro
Square



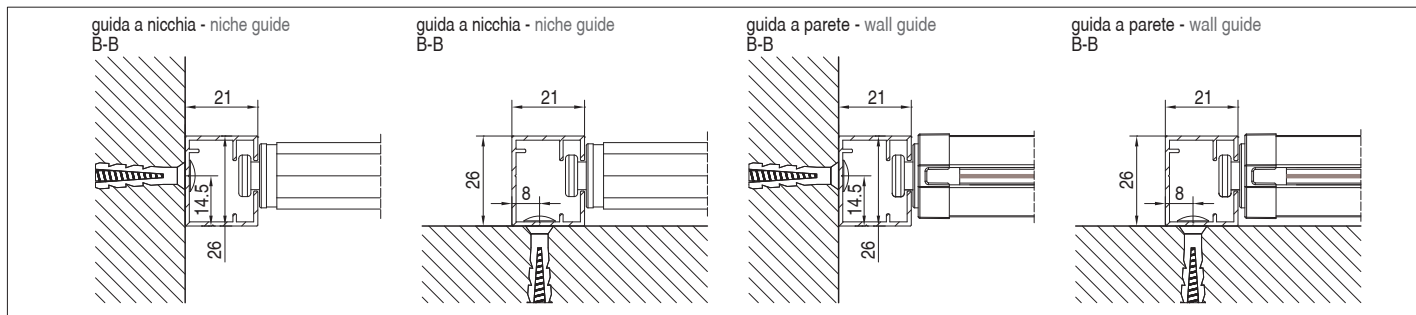
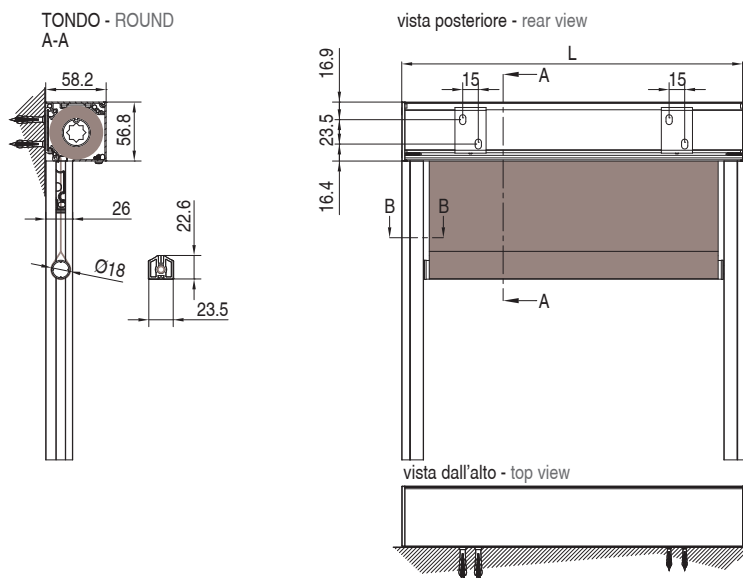
Terminale tondo
Round front bar



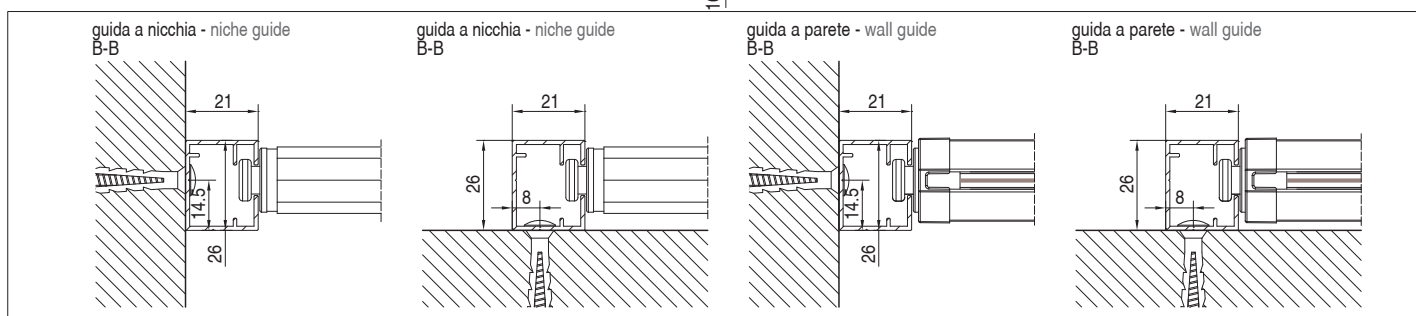
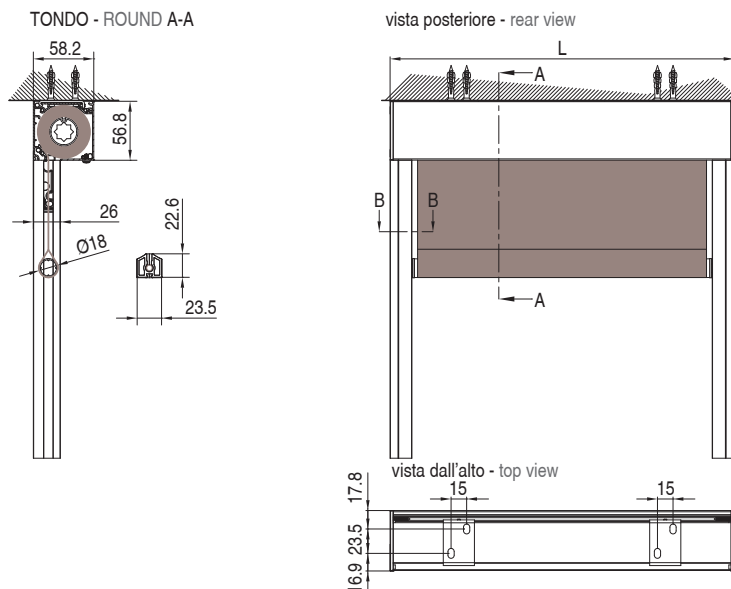
Terminale piccolo
Small front bar



MONTAGGIO PARETE - WALL INSTALLATION



MONTAGGIO SOFFITTO - CEILING INSTALLATION



Screeny 55
GP XS

SCREENY 55 - GP XS



Quadro - Square - Eckig - Cuadrado - Carre

